

## T9EC Thermostat

*Line Sensing Adjustable Temperature Hazardous Location*

### DESCRIPTION

The T9EC thermostat is intended for temperature control of electric heating cables for temperature maintenance pipe tracing. The T9EC is suitable for indoor/outdoor hazardous locations having hostile environments.



### ENCLOSURE

NEMA 4, 7 & 9 Lacquer-coated Cast Aluminum

### TEMPERATURE RANGE

Adjustable  
25°F to 325°F (-4°C to 163°C)

Calibration Accuracy  
3°F (1.7°C)

### CAPILLARY

Length	Material
10'-0" (3 m)	Stainless Steel

Max. Exposure Temp.  
420°F (215°C)

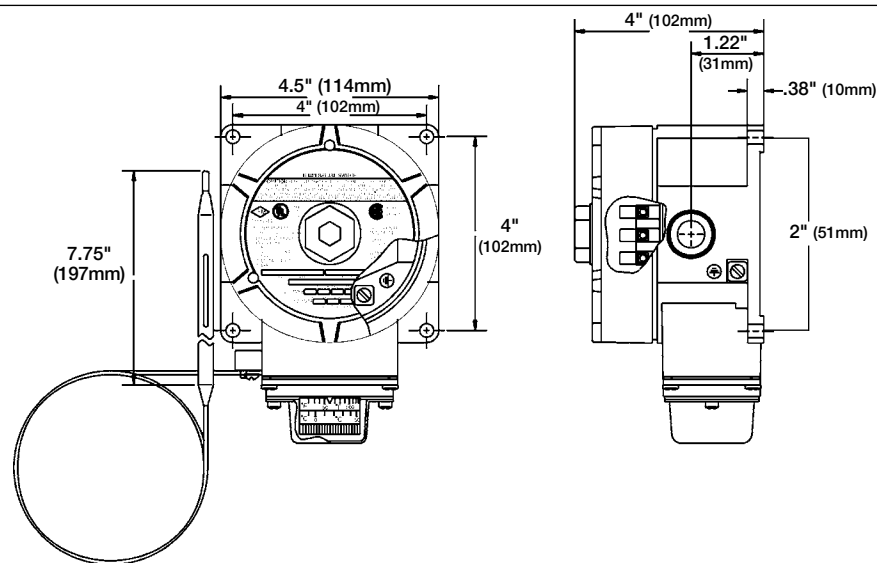
### ELECTRICAL

SPDT Switch  
22 amp Resistive, 125/250/480 VAC  
10 – 14 AWG Terminals

### APPROVALS

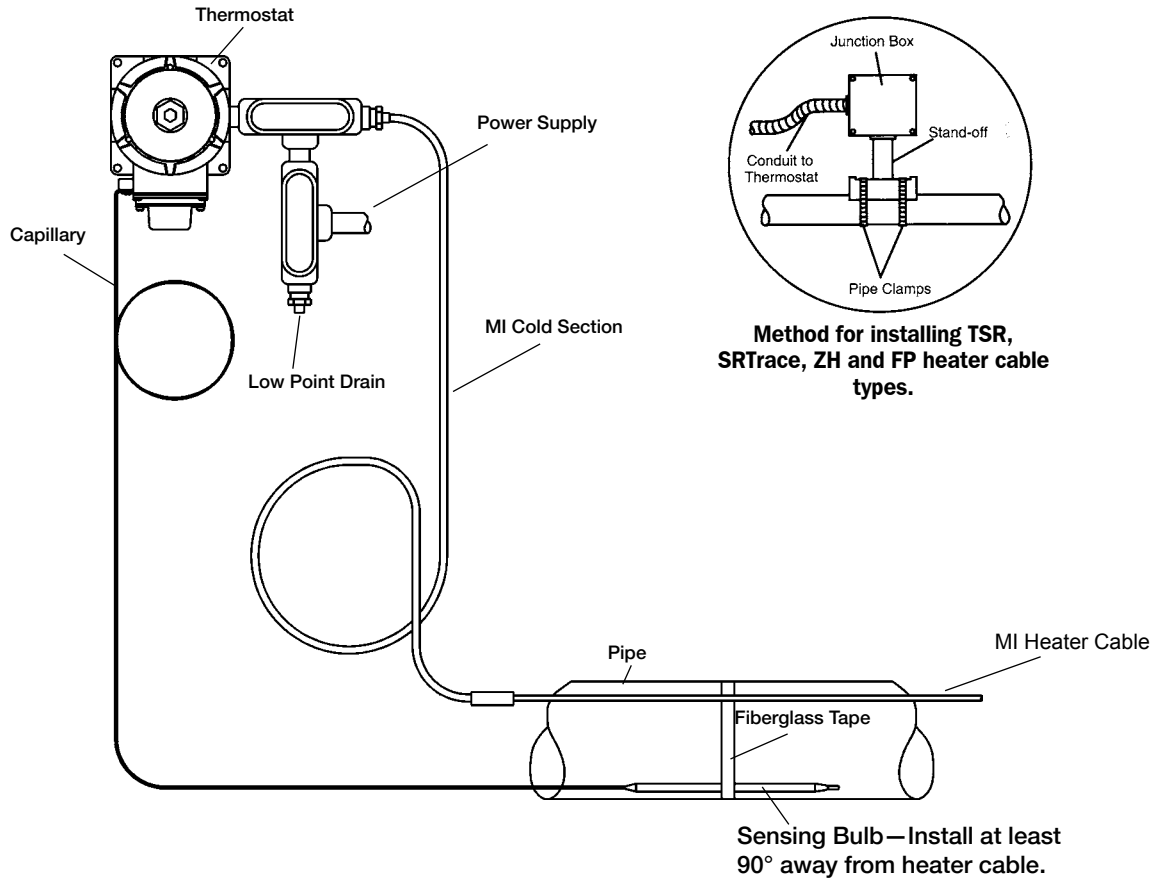
UL	E53121
	CL. I/II, Div. 1&2, Grps. B,C,D/E,F,G; Type 4
CSA	LR34556
	CL. I/II, Div. 1&2, Grps. B,C,D/E,F,G; CL. III;
	Type 4
FM	1Z1A0.AE
	CL. I/II, Div. 1&2, Grps. B,C,D/E,F,G

### OUTLINE

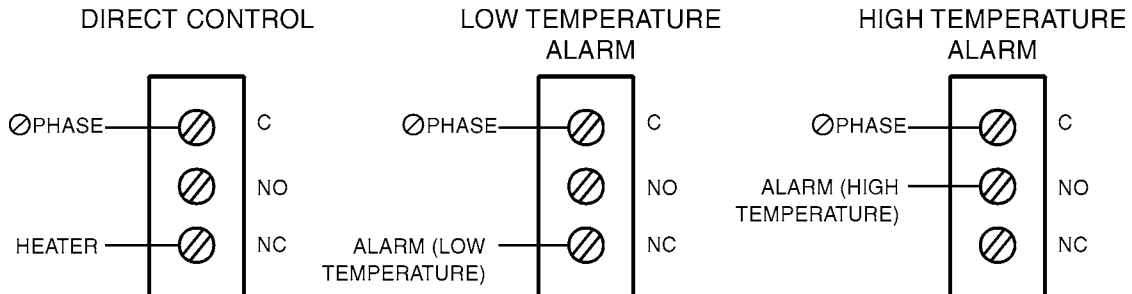


## INSTALLATION

### MI Trace Sample Installation



## WIRING



## ANNUAL MAINTENANCE

- 1 Remove cover.
- 2 Spray a coat of lubricant and rust preventative such as CRC Stor & Lube, electrical grade, on thermostat body.
- 3 Replace cover.

**EASYHEAT®**

US T. (800) 537-4732 / F. (888) 324-2440  
CAN T. (800) 794-3766 / F. (800) 361-4574