

C4XC Thermostat

Line/Ambient Sensing Fixed Temperature NEMA 4X Set-Point Application/Specification Guide

DESCRIPTION

The C4XC thermostat is intended for temperature control of a variety of electric heating cables utilized for freeze protection pipe tracing or roof/gutter deicing. The thermostat is suitable for indoor/outdoor locations having hostile, non-hazardous environments. The C4XC can be used in an ambient-sensing mode (with capillary coiled, as received) or a line sensing mode (with capillary attached to pipe).



ENCLOSURE

NEMA 4X Molded Gray Fiberglass Polyester

TEMPERATURE RANGE

Fixed
40°F (4.4°C)

Calibration Accuracy
4°F (2.2°C)

CAPILLARY

Length	Material
5'-6" (1.7 m)	Nickel Plated Copper

Max. Exposure Temp.
140°F (60°C)

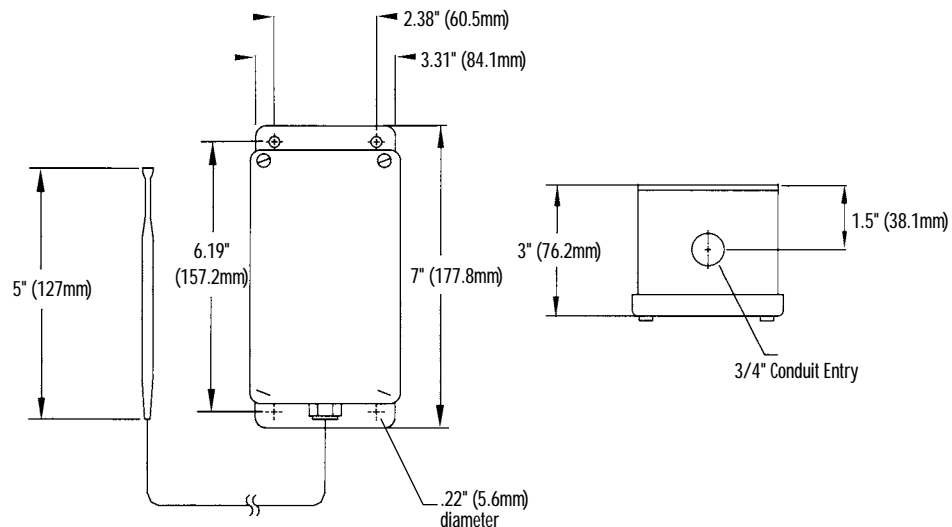
ELECTRICAL

SPST Switch (Closes on temp. fall at 40°F/4.4°C)
22 amp Resistive, 120/208/240 V., 50/60 Hz
18 amp Resistive, 277 V., 50/60 Hz
125 VA Pilot Duty, 120-277 V., 50/60 Hz
14 AWG Leads

APPROVALS

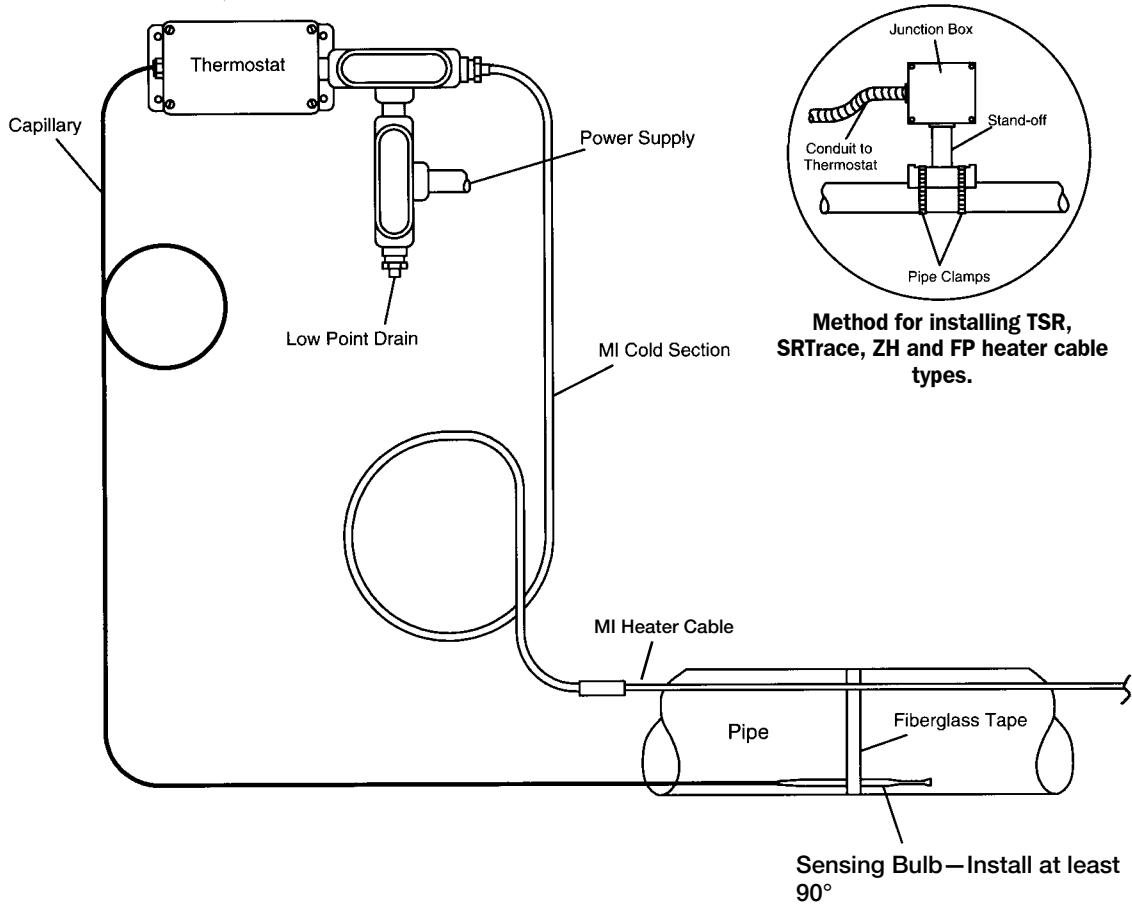
UL
CSA

OUTLINE

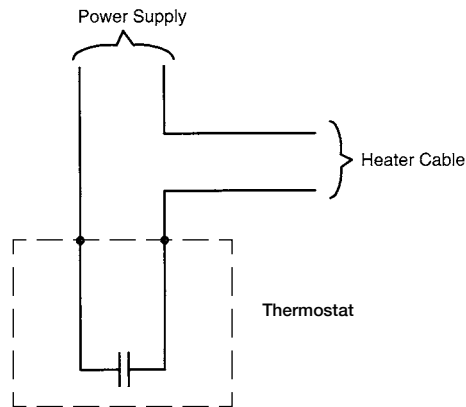


INSTALLATION

MI Trace Sample Installation



WIRING



ANNUAL MAINTENANCE

- 1 Remove cover.
- 2 Spray a coat of lubricant and rust preventative such as CRC Stor & Lube, electrical grade, on thermostat body.
- 3 Replace cover.