

T9EA Thermostat

Ambient Sensing Adjustable Temperature Hazardous Location

The T9EA thermostat is intended for temperature control of electric heating cables for freeze protection pipe tracing. The T9EA is suitable for indoor/outdoor hazardous locations having hostile environments.



Line Sensing unit shown

ENCLOSURE

NEMA 4, 7 & 9 Lacquer-coated Cast Aluminum

TEMPERATURE RANGE

Adjustable
15°F to 140°F (-9°C to 60°C)

Calibration Accuracy
1.3°F (0.7°C)

CAPILLARY

Length Material
NA Stainless Steel

Max. Exposure Temp.
160°F (71°C)

ELECTRICAL

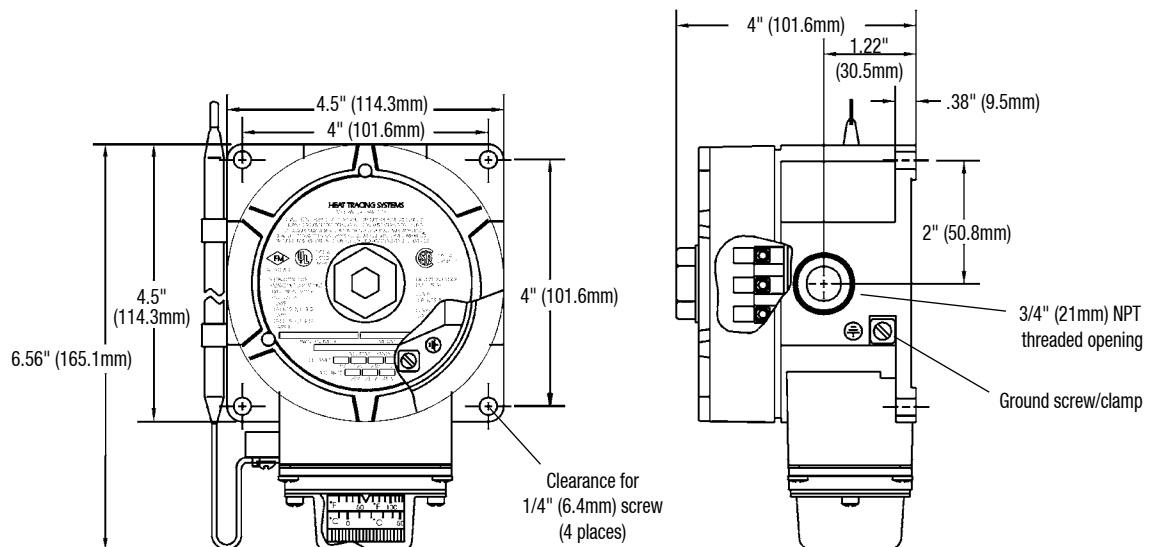
SPDT Switch
22 amp Resistive, 125/250/480 VAC
10 – 14 AWG Terminals

APPROVALS

UL E53121
CL. I/II, Div. 1&2, Grps. B,C,D/E,F,G; Type 4

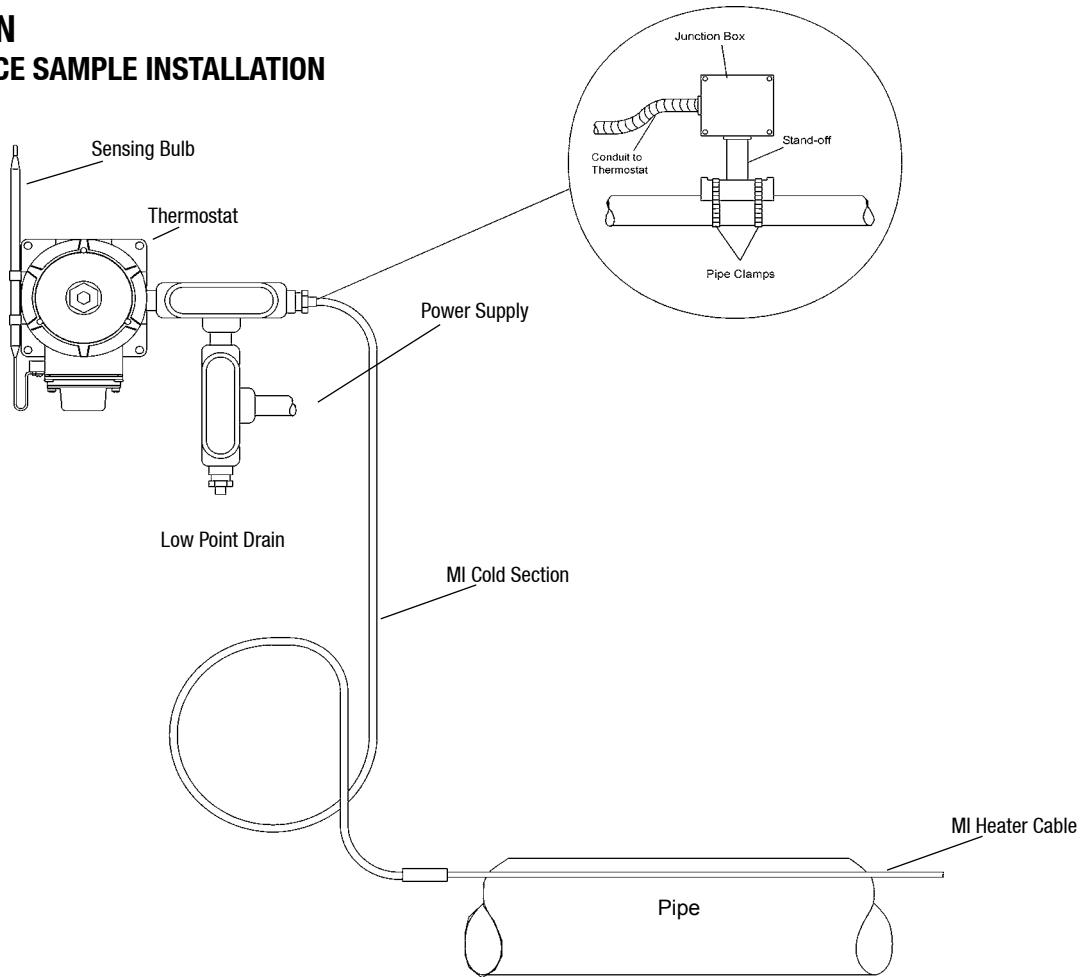
CSA LR34556
CL. I/II, Div. 1&2, Grps. B,C,D/E,F,G; CL. III;
Type 4

FM 1Z1A0.AE
CL. I/II, Div. 1&2, Grps. B,C,D/E,F,G

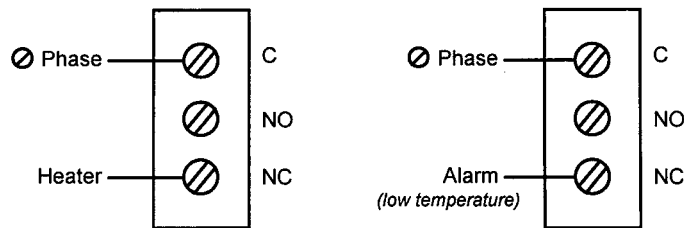


INSTALLATION

MI TRACE SAMPLE INSTALLATION



DIRECT CONTROL



ANNUAL MAINTENANCE

- 1 Remove cover.
- 2 Spray a coat of lubricant and rust preventative such as CRC Stor & Lube, electrical grade, on thermostat body.
- 3 Replace cover.



USA
2 Connecticut South Drive
East Granby, CT 06026
Tel. (800) 537-4732
Fax (888) 324-2440

CANADA
99 Union St.
Elmira, Ont. N3B 3L7
Tel. (519) 669-2444
Fax (519) 669-6419

www.easyheat.com