

T4XC Thermostat Line/Ambient Sensing Adjustable Temperature NEMA 4X

DESCRIPTION

The T4XC thermostat is intended for temperature control of a variety of electric heating cables for temperature maintenance pipe tracing. The T4XC is suitable for indoor/outdoor locations having hostile, non-hazardous environments.



ENCLOSURE

NEMA 4X Polyurethane-coated Die Cast Aluminum (max. 0.6% copper)

TEMPERATURE RANGE

Adjustable
25°F to 325°F (-3.9°C to 162.8°C)

Calibration Accuracy
3°F (1.7°C)

CAPILLARY

Length	Material
10'-0" (3 m)	Stainless Steel

Maximum Bulb Exposure Temperature
360°F (182°C)

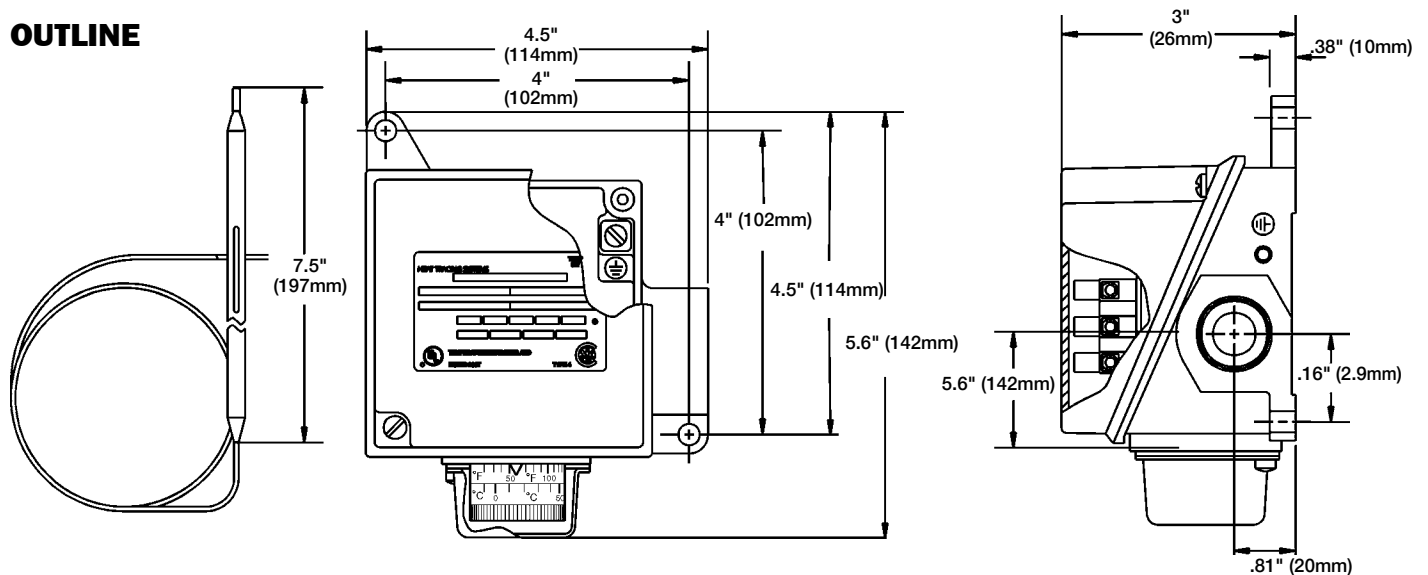
ELECTRICAL

SPDT Switch
22 amp Resistive, 125/250/480 VAC
10 – 14 AWG Terminals

APPROVALS – Ordinary Location

UL
CSA

OUTLINE



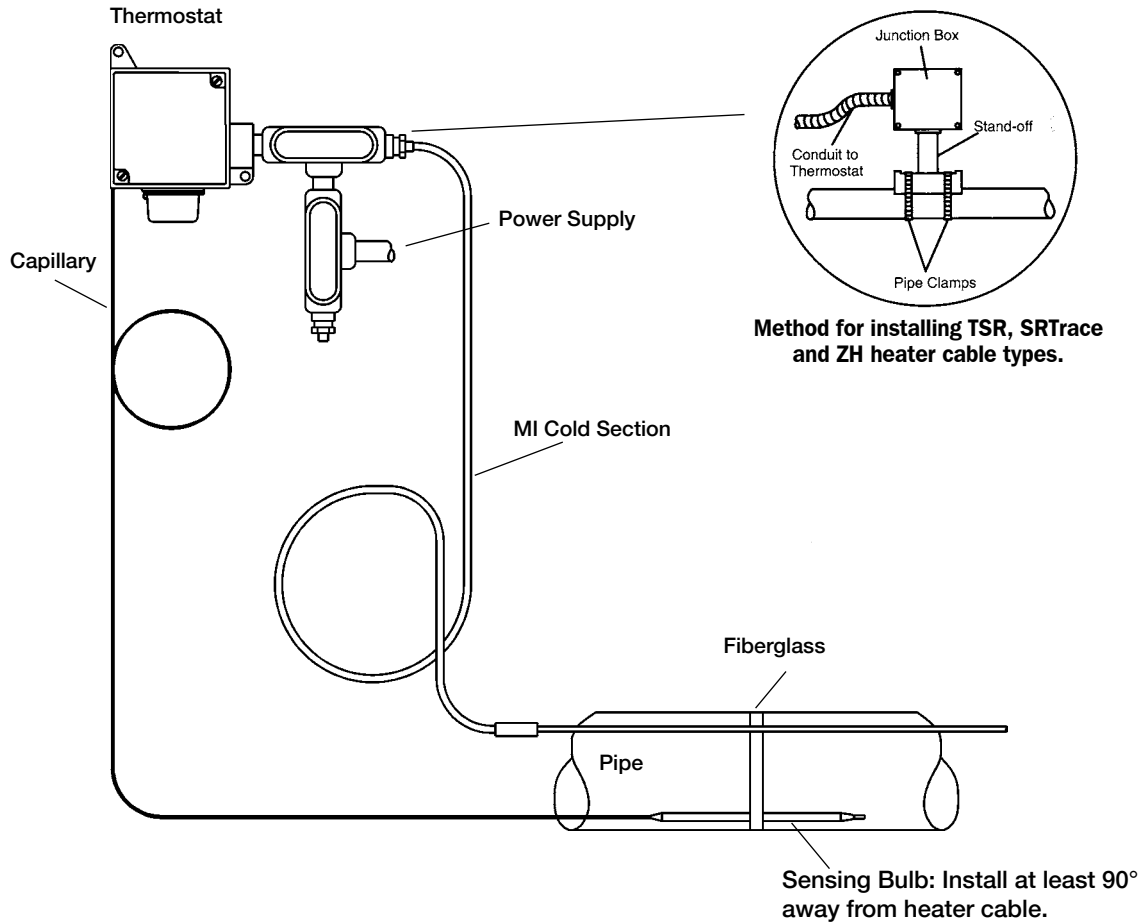
USA
2 Connecticut South Drive
East Granby, CT 06026
Tel. (800) 537-4732
Fax (888) 324-2440

CANADA
99 Union St.
Elmira, Ont. N3B 3L7
Tel. (519) 669-2444
Fax (519) 669-6419

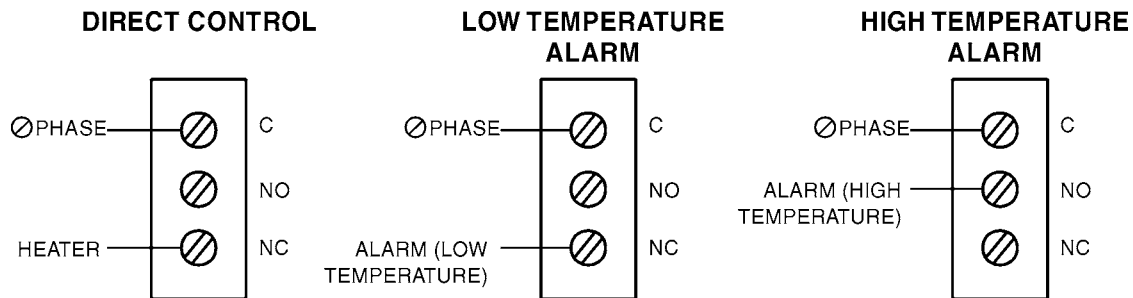
www.easyheat.com

INSTALLATION

MI Trace Sample Installation



WIRING



ANNUAL MAINTENANCE

- 1 Remove cover.
- 2 Spray a coat of lubricant and rust preventative such as CRC Stor & Lube, electrical grade, on thermostat body.
- 3 Replace cover.