



EASYHEAT®



ADDENDUM TO INSTALLATION INSTRUCTIONS FOR INSTALLING SNOW MELTING MATS UNDER PAVERS

Easy Heat Snow Melting mats can be installed under pavers. The installation instructions provided with the mats apply except as noted herein. Carefully follow the paver manufacturer's instructions and the guidelines of the Interlocking Concrete Pavement Institute (ICPI), Tech Spec Number 12, for installing electric snow melting mats under pavers, with the following exceptions:

- Do not install a mat within the compacted aggregate base, as this may damage the mat and result in mat failure and will void the warranty.
- Do not install a mat in a concrete base under pavers, as this may not provide sufficient heat or may result in a much longer time to melt any snow or ice.

These paver guidelines are intended for residential walks, patios, and driveways. For heavier duty commercial applications, please consult Easy Heat.

It is highly recommended that an experienced paver contractor do the paver installation in coordination with an electrical contractor for the mat installation. Paver design and installation varies with local climate, materials, soil conditions including drainage, and expected use loads.

Typical installation cross sections for a residential sidewalk or patio, *figure 1*, and a driveway, *figure 2*, are shown.

Proper preparation of the soil and aggregate base and the use of edge restraints to prevent loss of sand are critical. Loss of sand may result in mat failure.

Conduit must be used to protect the non-heating leads at the exit from the paved area.

The mat heating cable and splice to the non-heating leads must be fully contained in the sand bed.

Secure the mat to a wire fabric with nylon cable ties attached to the WHITE MAT STRANDS ONLY wherever possible. If ties must be used on the black heating cable, leave slightly loose, DO NOT fully tighten or the tie may cut into the cable and result in failure of mat in operation.

Lay the mats on top of either the compacted aggregate base (patio/walkway type installation) or the concrete base (driveway type installation) and cover with sand as shown.

Do not use or spill any chemicals that may be harmful to PVC or copper.

Should grass or weeds develop in the gaps between pavers, care must be used when using tools to remove them or the mat may be damaged.

Easy Heat is not responsible for damage to the electric mats caused by improper paver installation or maintenance.

Figure 1 Residential walkway or patio

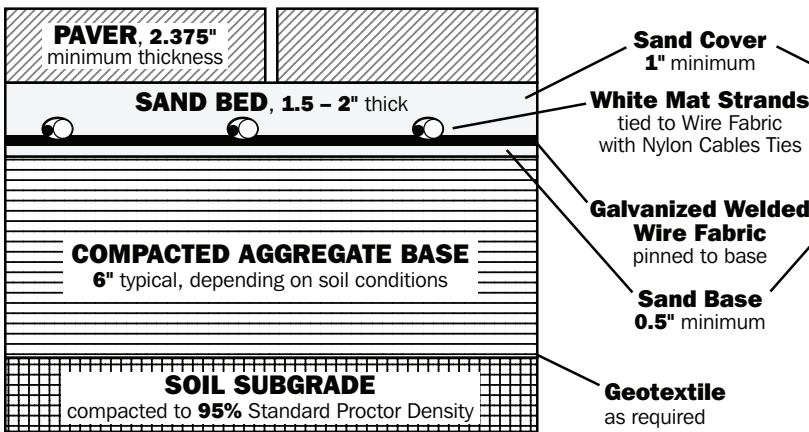
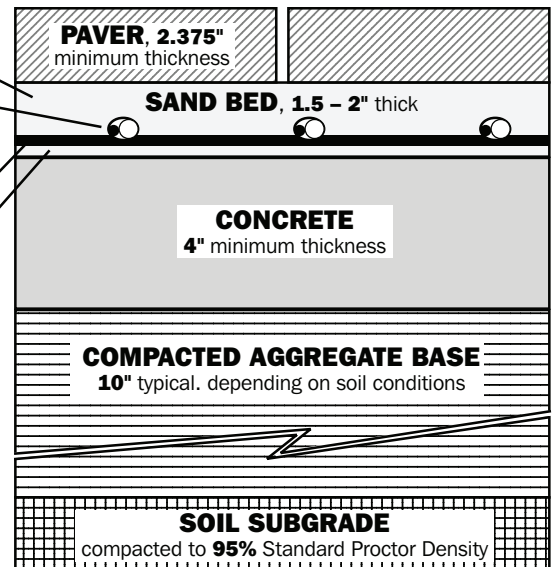


Figure 2 Residential walkway, patio or driveway



www.easyheat.com

14060-001 rev. 1

USA
 2 Connecticut South Drive
 East Granby, CT 06026
 TEL 800/537-4732
 FAX 888/324-2440

Canada
 99 Union Street
 Elmira ON N3B 3L7
 TEL 519/669-2444
 FAX 519/669-6419

©2008 Easy Heat Inc.